

SK805 SHADOWLINE ENQUIRY FORM

Please complete this form, so we can complete your enquiry.

PROJECT NAME: **DATE:**

CLIENT NAME:

DELIVERY ADDRESS:

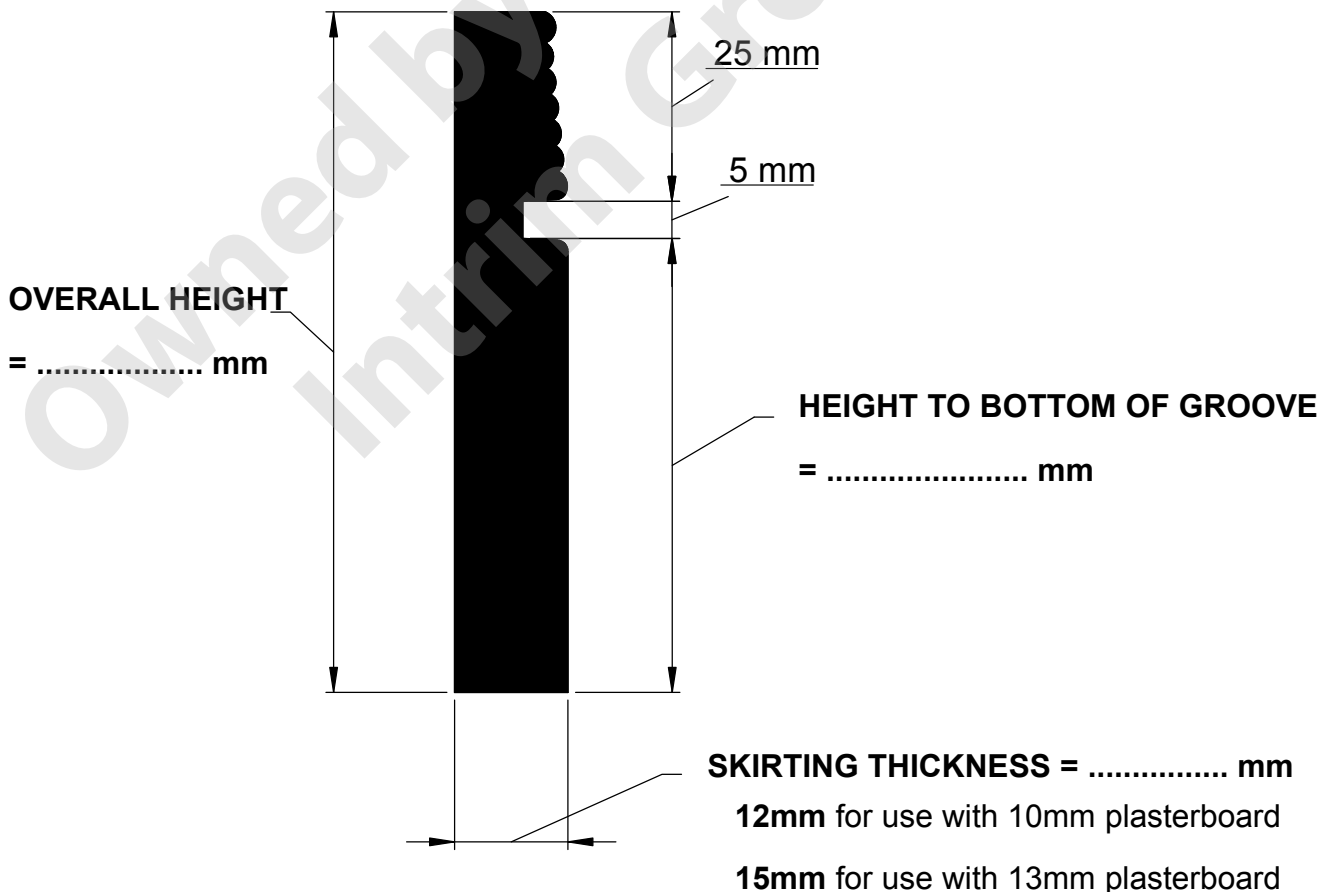
SITE CONTACT: **CONTACT PH. NO:**

SK805 SHADOWLINE SKIRTINGS

Please provide the height, in millimetres, to the bottom of the Shadowline groove, the overall height and the thickness of the skirting, based on the plasterboard being used.

MATERIAL:

PRIMED MDF - SECTION SIZE: **QTY..... @ 5.4m**



sales@intrimgroup.com.au

INTRIM®