

**SHADOWLINE ENQUIRY FORM**

**Please complete this form, so we can complete your enquiry.**

**PROPOSAL NO:** ..... **DATE:** .....

**CLIENT NAME:** .....

**DELIVERY ADDRESS:** .....

**SITE CONTACT:** ..... **CONTACT PH. NO:** .....

**SK801/SK802 SHADOWLINE SKIRTINGS**

**Please provide the height, in millimetres, to the bottom of the Shadowline groove, the overall height and the thickness of the skirting, based on the plasterboard being used.**

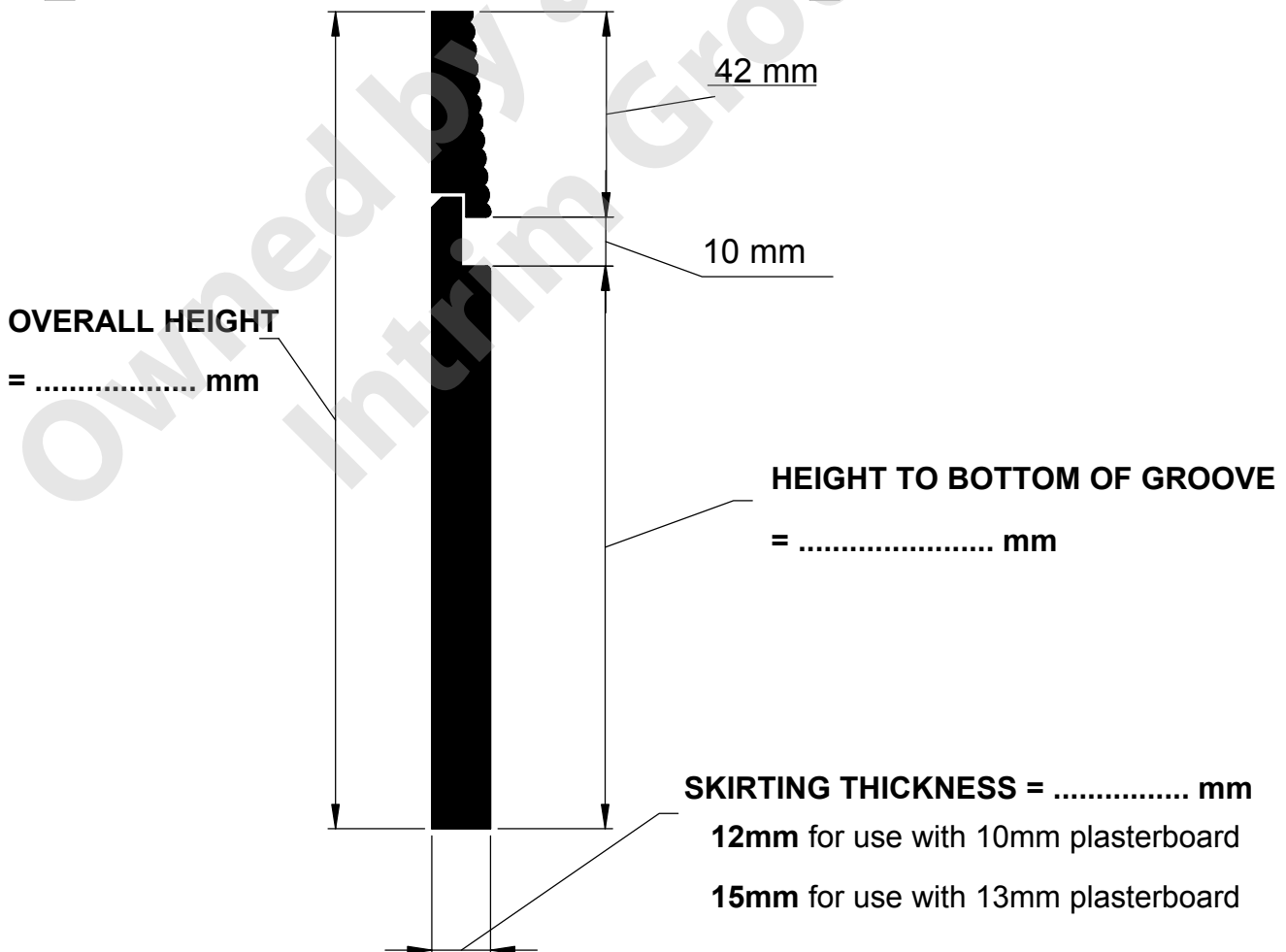
**MATERIAL:**

**MDF - SECTION SIZE:** ..... **QTY**..... @ 5.4m

**FINGER JOINTED PINE - SECTION SIZE:** ..... **QTY**..... @ 5.4m

**PRIMED**

**UNPRIMED/RAW**



**sales@intrimgroup.com.au**

**INTRIM®**